

## FLOAT AND THERMOSTATIC STEAM TRAPS FLT80

### DESCRIPTION

The FLT80S float and thermostatic steam traps series (with integral air vent) are designed for all types of low and high pressure steam heating and process equipment.

Typical applications include unit heaters, heat exchangers, driers, jacketed vessels and all the applications where continuous drainage is essential.

### MAIN FEATURES

- Modulating discharge.
- Discharges condensate at steam temperature.
- Unaffected by sudden or wide load and pressure changes.
- Excellent air discharge (by thermostatic air vent).

**OPTIONS:** Equalizing plug or vent connection.

**USE:** Saturated and superheated steam.

**AVAILABLE MODELS:** FLT80S – carbon steel.

**SIZES:** 3" and 4"; DN 80 and DN 100.

**CONNECTIONS:** Flanged EN 1092-1 PN 16.  
Flanged ASME B16.5 Class 150.

**INSTALLATION:** Horizontal standard installation with vertical inlet and horizontal outlet.  
See IMI – Installation and maintenance instructions.



#### CE MARKING – GROUP 2 (PED – European Directive)

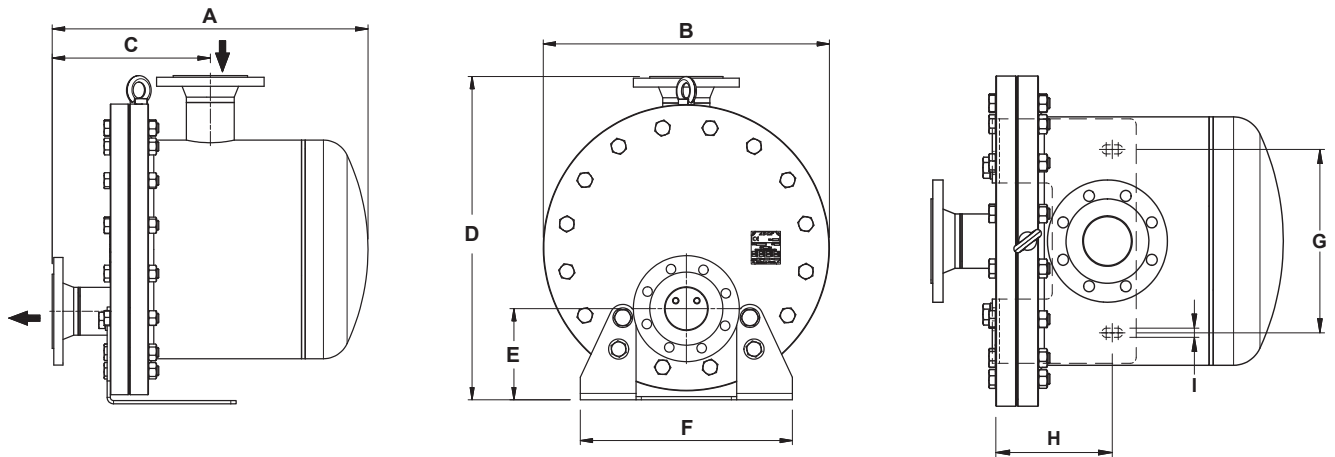
PN 16	Category
3" and 4" – DN 80 and 100	2 (CE marked)

BODY LIMITING CONDITIONS *	
FLANGED PN 16 / CLASS 150 ALLOWABLE PRESSURE	RELATED TEMPERATURE
14,8 bar	100 °C
13,3 bar	200 °C
12,1 bar	250 °C
11 bar	300 °C

PMO – Max. operating pressure: 12 bar.  
TMO – Max. operating temperature: 250 °C.  
\* According to EN 1092-1:2018.

#### FLOW RATE CAPACITY (kg/h)

MODEL	SIZE	DIFFERENTIAL PRESSURE (bar)															
		0,1	0,3	0,5	1	1,5	2	2,5	3	3,5	4	5	6	7	8	10	12
FLT80S	3" to 4" DN 80 to 100	37600	45400	49000	58000	62000	68000	74000	76000	79000	84000	87000	91000	94000	96000	99000	100000



**DIMENSIONS (mm)**

MODEL	SIZE	A PN 16	A CL. 150	B	C PN 16	C CL. 150	D	E	F	G	H	I	WEIGHT (kg)
FLT80S	3" – DN 80	587	607	540	294	314	610	172	400	300	194	15	159
FLT80S	4" – DN 100	634	658	540	341	365	610	172	400	300	194	15	161

**MATERIALS**

POS. N°	DESIGNATION	MATERIAL
1	Body	P235GH / 1.0345; P250GH / 1.0460; S235JR / 1.0038; S355JR / 1.0045; A105 / 1.0432
2	Cover	P235GH / 1.0345; P250GH / 1.0460; P265GH / 1.0425; S355JR / 1.0045; A105 / 1.0432
3	* Gasket	Stainless steel / Graphite
4	* Seat	A351 CF8 / 1.4308
5	* Gasket	Stainless steel / Graphite
6	* Valve	AISI 420 / 1.4021; A351 CF8M / 1.4408
7	* Lever	AISI 316 / 1.4401; AISI 304 / 1.4301
8	* Float	AISI 304 / 1.4301
9	* Automatic air vent	Stainless steel (thermostatic)
10	Bolts	Steel 8.8
10A	Nuts	Steel 8.8

\* Available spare parts.

