

HUMIDITY SEPARATORS Clean Steam Separator S10H

DESCRIPTION

When wet steam is used in sterilization, moisture in suspension reduces the heat transfer efficiency, and the validity of the sterilization process can be compromised.

S10H series baffle separators remove moisture from steam pipelines. Steam passes through the separator and as a result of expansion, impact and swirling effects, the particles with a heavier specific gravity are separated, such as water droplets and moisture in suspension. The condensate collected at the bottom of the separator must be automatically drained by a suitable steam trap.

MAIN FEATURES

316L stainless steel construction.
No moving parts.
Self draining design.

STANDARD SURFACE FINISH

Internal wetted parts: $\leq 0,51$ micron Ra – SF1.
External: Satin bead blast finish – 1,6 micron Ra.
Other surface conditions see IS PV20.00 E – Technical information.

OPTIONS: Vent connection.
Different kinds of connections and dimensions.

USE: Steam, compressed air and other gases
(Group 2).

AVAILABLE MODELS: S10H – horizontal connections, baffle design.
S10HA – S10H with air vent connection.

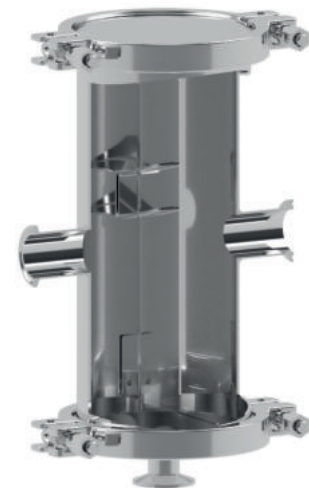
SIZES: 1/2" to 3".

CONNECTIONS: ASME BPE clamp ferrules.
Others on request.

PACKAGING: Assembling and packaging in a clean room certified according to ISO 14644-1.
The product is end capped and sealed with recyclable thermo-shrinkable plastic film, to avoid contamination.

INSTALLATION: Always with the condensate discharge pointing downwards.
See IMI – Installation and maintenance instructions.

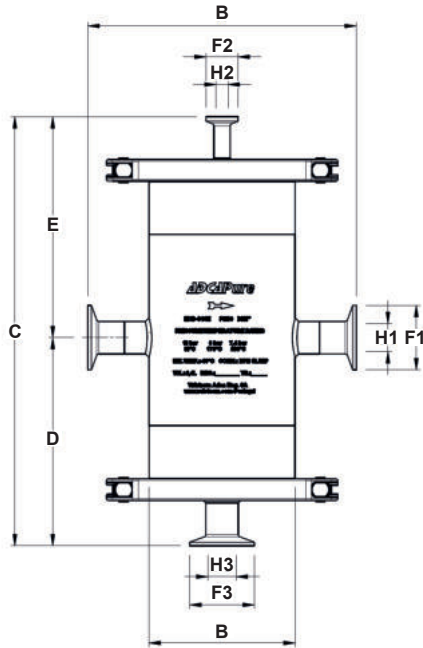
HOW TO SELECT: Generally, in an existing plant it is advisable to fit a separator with the same size of the pipe line. Pressure drop is normally negligible. For approximate pressure drop calculation, consult manufacturer.



BODY LIMITING CONDITIONS	
ALLOWABLE PRESSURE	RELATED TEMPERATURE
10 bar	50 °C
8 bar *	175 °C
7,4 bar	200 °C

* PMO – Max. operating pressure for saturated steam.
Minimum operating temperature: -10 °C.
Design code: AD-Merkblatt.

CE MARKING – GROUP 2 (PED – European Directive)	
PN 10	Category
1/2" to 2"	SEP
2 1/2" to 3"	1 (CE Marked)



DIMENSIONS (mm)

SIZE	A	B	C	D	E	F1	F2	F3	H1	H2	H3	VOL. (dm ³)	WEIGHT (kg)
1/2"	210	114	338	163	175	25	25	50,5	9,4	9,4	22,1	2,4	5
3/4"	210	114	338	163	175	25	25	50,5	15,75	9,4	22,1	2,4	5
1"	210	114	338	163	175	50,5	25	50,5	22,1	9,4	22,1	2,4	5,1
1 1/2"	240	140	404	163	209	50,5	25	50,5	34,8	9,4	22,1	4,7	9,6
2"	240	140	404	195	209	64	25	50,5	47,5	9,4	22,1	4,7	9,6
2 1/2"	270	168	478	235	244	77,5	25	50,5	60,2	9,4	22,1	8,4	13,7
3"	270	168	478	235	244	91	25	50,5	72,9	9,4	22,1	8,6	13,8

MATERIALS

POS. N°	DESIGNATION	MATERIAL
1	Body	AISI 316L / 1.4404
2	Cover	AISI 316L / 1.4404
3	* Clamp	AISI 316L / 1.4404
4	* Seal	Viton
5	Internals	AISI 316L / 1.4404

* Available spare parts.

EN 10204 3.1 certificate available if requested along with the order.

Remarks: FDA / USP Class VI seals certificate on request.

All separators have a serial number. In case of non-standard separators, this number must be supplied if spare parts are ordered.

