

**BALANCED PRESSURE
THERMOSTATIC STEAM TRAP
TSS6H**

DESCRIPTION

The TSS6H all stainless steel thermostatic steam traps and air vents are specifically designed for use in reactors, sterilizers and distribution lines in clean and pure steam systems.

Their small size makes them ideal for use with a wide variety of these equipment.

The thermostatic element is very sensitive and designed to open with a minimum sub-cooling of around 2 °C related to the saturated steam temperature.



MAIN FEATURES

- Modulating discharge.
- Excellent air discharge.
- Simple and compact design.

STANDARD SURFACE FINISH

- Internal wetted parts: ≤ 0,51micron Ra – SF1.
- External: ≤ 0,76 micron Ra – SF3.
- Other surface conditions see IS PV20.00 E – Technical information.
- Ultrasonic cleaning.

- OPTIONS:** Special designs on request.
- USE:** Saturated clean steam.
- AVAILABLE MODELS:** TSS6H – high capacity clean steam trap.

SIZES: 1/2" to 1 1/2".

CONNECTIONS: ASME BPE clamp ferrules.
Others on request.

PACKAGING: Assembling and packaging in a clean room certified according to ISO 14644-1.
The product is end capped and sealed with recyclable thermo-shrinkable plastic film, to avoid contamination.

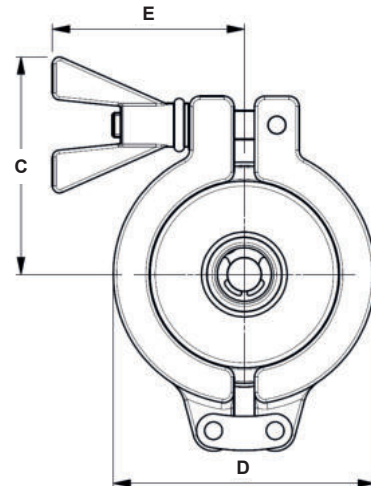
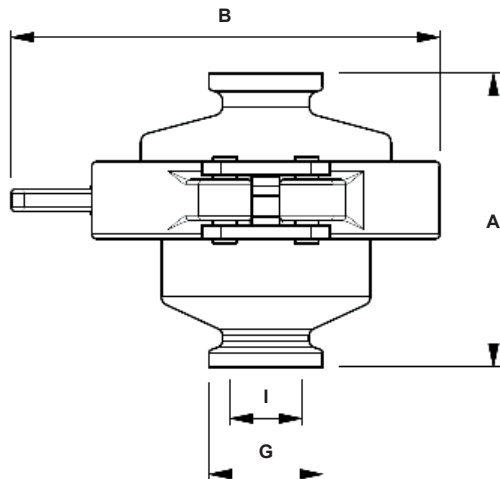
INSTALLATION: Vertical installation.
See IMI – Installation and maintenance instructions.

CE MARKING – GROUP 2 (PED – European Directive)	
PN 10	Category
1/2" to 1 1/2"	SEP

LIMITING CONDITIONS	
PMA – Maximum allowable pressure	10 bar
TMA – Maximum allowable temperature	177 °C
PMO – Maximum operating pressure	6 bar
TMO – Maximum operating temperature	165 °C

FLOW RATE CAPACITY (kg/h)											
MODEL	SIZE	DIFFERENTIAL PRESSURE (bar)									
		0,2	0,3	0,5	1	1,5	2	3	4	5	6
TSS6H (A)	1/2"	320	380	410	550	680	909	1081	1199	1372	1403
TSS6H (B)	1/2"	470	495	518	697	792	1026	1231	1436	3611	1682
TSS6H (A)	3/4"	605	640	710	900	1096	1284	1801	2000	2330	2510
TSS6H (B)	3/4"	1186	1294	1354	1970	2372	2737	3312	3845	4227	4584
TSS6H (A)	1" to 1 1/2"	780	810	915	1188	1412	1840	2305	2970	3494	3962
TSS6H (B)	1" to 1 1/2"	1291	1378	1477	2052	2531	2873	3529	4104	4494	4966

A – Condensate discharge at 5 °C below saturation temperature; **B** – Cold water capacity around 20 °C.



DIMENSIONS (mm) ASME BPE

SIZE	A	B	C	D	E	G	I	WEIGHT (kg)
1/2"	65	94	64	76,5	56	25	9,4	0,7
3/4"	65	94	64	76,5	56	25	15,75	0,7
1"	65	94	64	76,5	56	50,5	22,1	0,8
1 1/2"	65	94	64	76,5	56	50,5	34,8	0,8

MATERIALS

POS. Nº	DESIGNATION	MATERIAL
1	Body	AISI 316L / 1.4404
2	Cover	AISI 316L / 1.4404
3	* Thermostat	AISI 316L / 1.4404
4	* Gasket	PTFE / TFM® Envelope gasket
5	Safety clamp	AISI 316 / 1.4401

* Available spare parts.

Remarks: FDA / USP Class VI seals certificate on request.

