

SAMPLE COOLERS SC32 – SC132

DESCRIPTION

The ADCA sample coolers are specially designed to cool samples of boiler water or steam for analysis. Sample coolers prevent steam flashing-off from hot pressurised liquid samples, which can be dangerous and may result in an incorrect sample. This device may be used for boiler water analysis and other sampling or cooling applications compatible with the construction materials.

MAIN FEATURES

Corrosion-resistant body and internals.
Self draining sample (top inlet, bottom outlet).

OPTIONS: Sample inlet valve.
Cooling water inlet valve.
Temperature indicator.
Bolted cover.
Different connection sizes and materials on request.
Double coil high pressure design for larger capacities.

USE: Steam boilers and hot water systems.

AVAILABLE

MODELS: SC32/SS - SC132/SS - stainless steel body and coil.

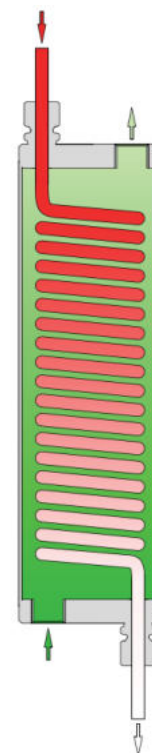
SIZES AND

CONNECTIONS: Cooling water inlet/outlet: 1/2" on body (BSP or NPT).
Sample tube inlet/outlet: 8 mm O/D.

INSTALLATION: Vertical installation.

OPERATION: Cooling water must be at its maximum flow before opening or closing the sample inlet valve, in order to avoid the risk of scalding.
Sample valve must be closed before opening the cooling water valve.
Sample coil should always be completely immersed in water.

PERFORMANCE: 30 to 60 kg/h of sample liquid at ≈ 30 °C with 1 m³/h of inlet cooling water at 15 °C (boilers up to 20 bar – 220 °C), for other pressures, temperatures and/or certified values, consult factory.



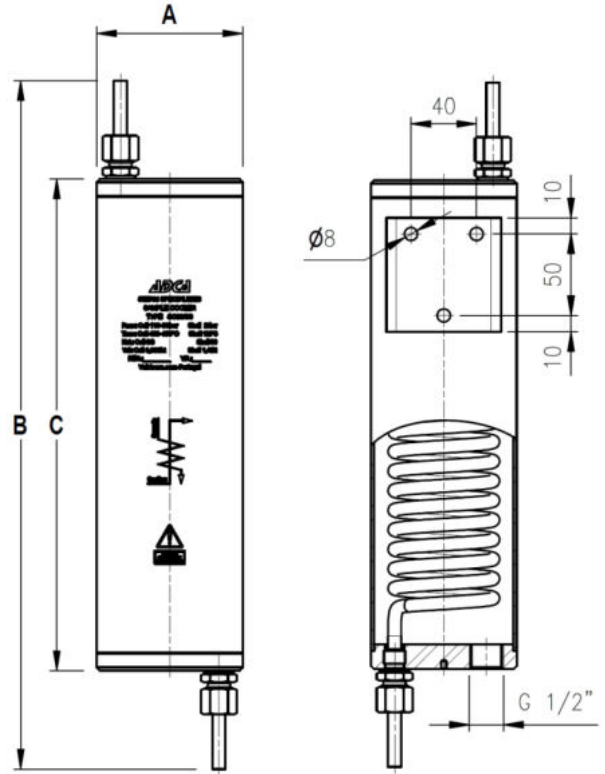
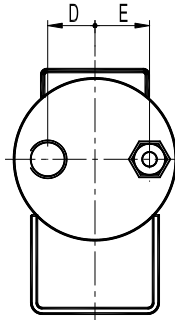
LIMITING CONDITIONS				
BODY			COIL	
MODEL	PRESSURE	RELATED TEMP.	PRESSURE	RELATED TEMP.
SC32 – SC132	20 bar	120 °C	110 bar	400 °C
			90 bar	450 °C

Min. operating temp.: -10 °C; Design code: AD-Merkblatt.

DIMENSIONS (mm)						
MODEL	A	B	C	D	E	WEIGHT (kg)
SC32	90	420	300	26	30	3,9
SC132	90	520	400	26	30	4,8

MATERIALS	
DESIGNATION	MATERIAL SC32 - SC132
Body	AISI 304 / 1.4301
Covers	AISI 304 / 1.4301
Coil	AISI 316L / 1.4404
Compression fittings	AISI 316Ti / 1.4571
Discharge tube	AISI 316L / 1.4404
Thermometer connection	AISI 316 / 1.4401

EN10204 3.1 certificate available if requested with the order.



TYPICAL INSTALLATION

MATERIALS	
POS. N°	DESIGNATION
1	Sample cooler
2	* Sample inlet valve ADCA NV-400
3	* Cooling water inlet valve ADCA GV32B
4	Compression fittings (x2) 1/4" x 8 mm
5	Thermometer connection
6	Bimetallic thermometer

* For operating conditions, check IS NV400.10 E and IS GV32B.10;

