

GAUGE VALVES GC400

DESCRIPTION

The GC400 gauge valves were designed for mounting of instruments such as pressure gauges, transmitters and switches. Throttling of the valve protects the connected instrument against pressure spikes. Complete valve shut-off and pressure release through the integrated vent plug allows safe instrument removal for replacement or calibration procedures.

MAIN FEATURES

Integrated vent plug.
 Designed and tested according to DIN 16270.

OPTIONS: Version for oxygen service.

USE: Saturated steam, water, compressed air and other fluids compatible with the construction.

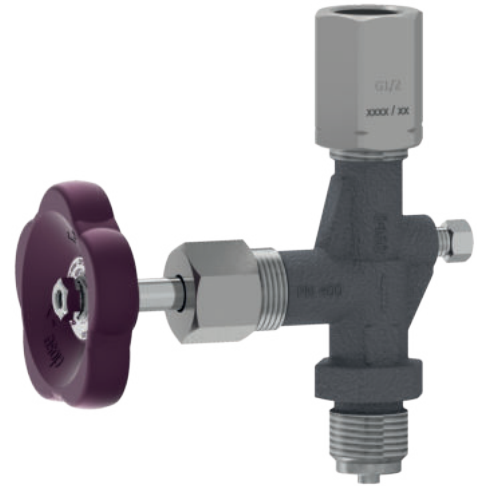
AVAILABLE MODELS:

GC400 – carbon steel.
 GC400I – stainless steel.

CONNECTIONS: ISO 228 G 1/2" (male x female).

INSTALLATION: Any position.

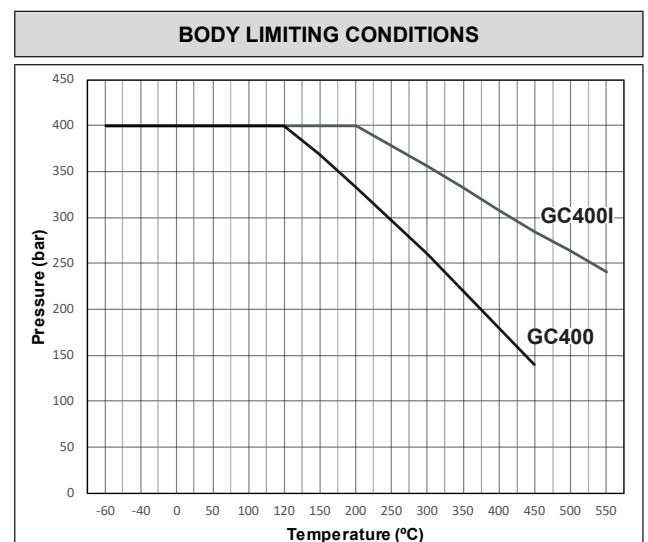
Remarks:
 Other sizes, materials and connections available on request.

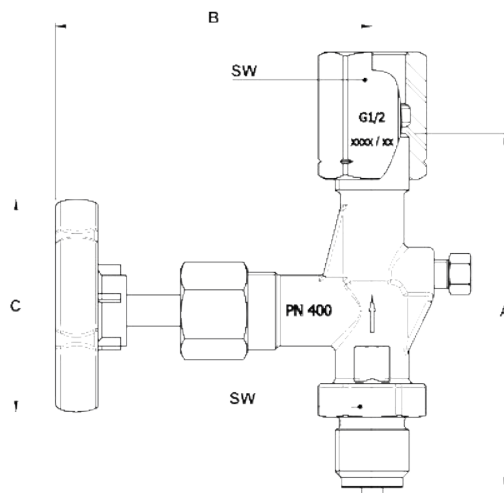


GC400

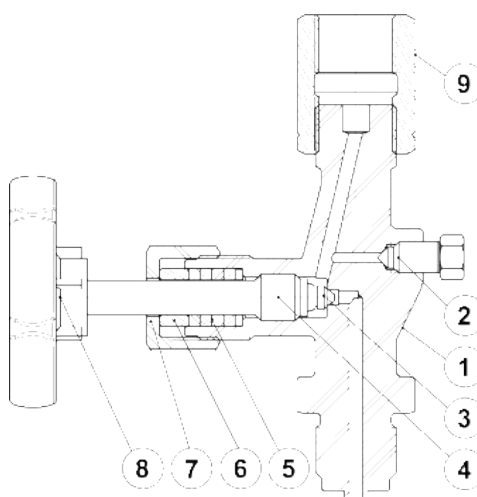


GC400I





DIMENSIONS (mm)					
SIZE	A	B	C	SW	WEIGHT (kg)
1/2" x 1/2"	100	90	63	27	0,54



MATERIALS			
POS. N°	DESIGNATION	GC400	GC400I
1	Body	P250GH / 1.0460	AISI 316 Ti / 1.4571
2	Vent plug	AISI 316 Ti / 1.4571	AISI 316 Ti / 1.4571
3	Valve	AISI 420C / 1.4034	AISI 316 Ti / 1.4571
4	Stem	X14CrMoS17 / 1.4104	AISI 316 Ti / 1.4571
5	Packing	Graphite	Graphite
6	Packing gland	11SMnPb30 / 1.0718	AISI 316 Ti / 1.4571
7	Packing nut	11SMnPb30 / 1.0718	AISI 316 Ti / 1.4571
8	Handwheel	Plastic	Plastic
9	Compression fitting	11SMnPb30 / 1.0718	AISI 316 Ti / 1.4571