

THREE PIECE BALL VALVES M3i5

DESCRIPTION

The M3i5 three piece ball valves are reduced bore isolating valves designed for on/off applications with steam, condensate and other gases and liquids compatible with the construction.

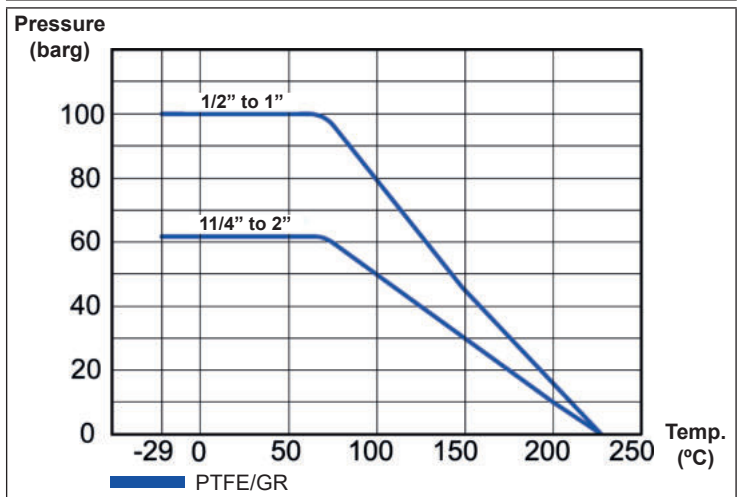
MAIN FEATURES

- Reduced bore floating ball design.
- Can be serviced without removal from pipeline.
- Bidirectional.
- Blow-out proof stem design.
- Antistatic device.



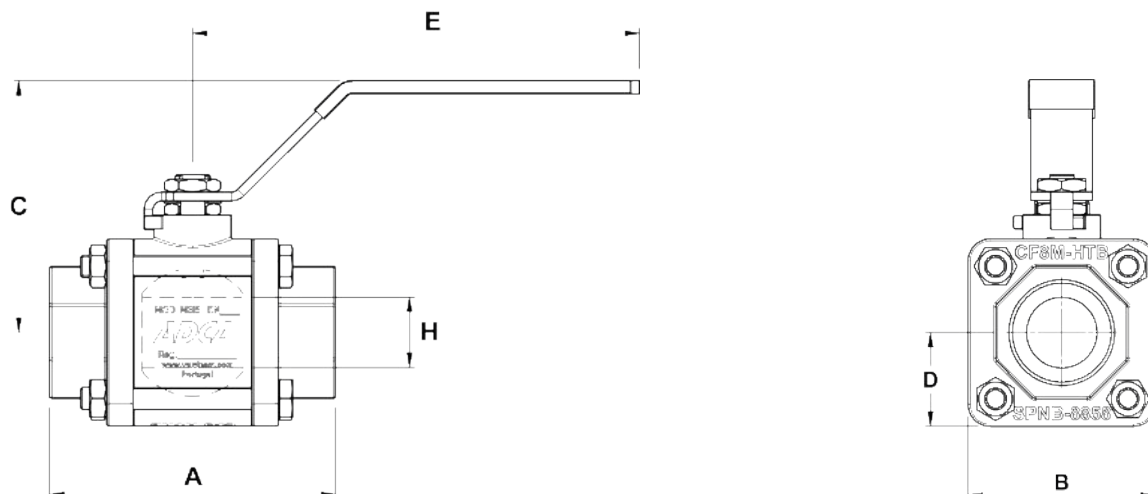
- OPTIONS:** Different sealing materials.
- USE:** Steam, gases and liquids compatible with the construction.
- AVAILABLE MODELS:** M3i5 – stainless steel.
- SIZES:** 1/2" to 2".
- CONNECTIONS:** Female threaded ISO 7 Rp or NPT.
Socket weld (SW) ASME B16.11.
- INSTALLATION:** See IMI – Installation and maintenance instructions.

BODY LIMITING CONDITIONS



CE MARKING – GROUP 2 (PED – European Directive)

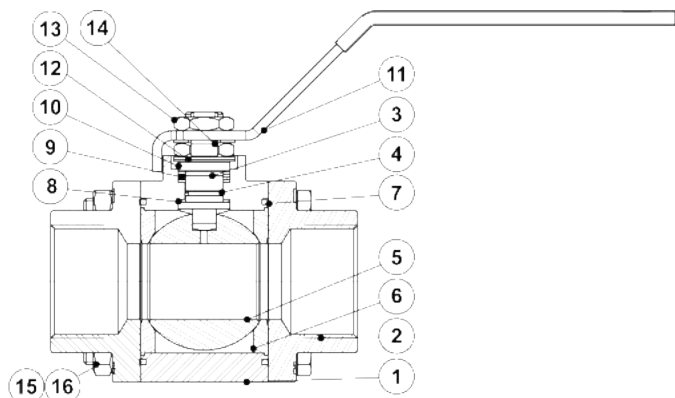
PN 100	Category
1/2" to 1 1/4"	SEP
1 1/2" to 2"	1 (CE marked)



DIMENSIONS (mm)							
SIZE	A	B	C	D	E	H	WEIGHT (kg)
1/2"	68	42	74	21	143	11	0,61
3/4"	76	50	74	25	143	15	0,87
1"	100	62	86	31	175	20	1,81
1 1/4"	118	72	91	36	175	25	2,54
1 1/2"	130	85	115	42,5	203	32	3,95
2"	146	95	119	47,5	203	38	5,05

MATERIALS

POS. N°	DESIGNATION	MATERIAL
1	Body	A351 CF8 / 1.4308
2	Body cap	A351 CF8M / 1.4408
3	Stem	AISI 316 / 1.4401
4	Stem o-ring	Viton
5	Ball	AISI 316 / 1.4404
6	* Seat	PTFE/GR
7	* Body gasket	PTFE
8	* Stem gasket	PTFE/GR
9	* Stem seal	PTFE/GR
10	Spacer	AISI 316 / 1.4404
11	Handle	AISI 304 / 1.4301
12	* Spring washers	AISI 304 / 1.4301
13	Compression nut	AISI 304 / 1.4301
14	* Lockwasher	AISI 304 / 1.4301
15	Fixing bolts	AISI 304 / 1.4301
16	Nuts	AISI 304 / 1.4301



* Available spare parts