

## NOISE DIFFUSERS DF15

### DESCRIPTION

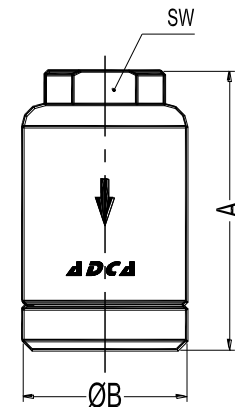
The DF15 all stainless steel noise diffusers spread out the high speed discharges from steam or air traps while dampening the level of noise associated with steam or compressed air trap cycles.

### MAIN FEATURES

A reduction of about 80% of the noise measured at 1 meter from the application can be expected.  
Simple and compact design.



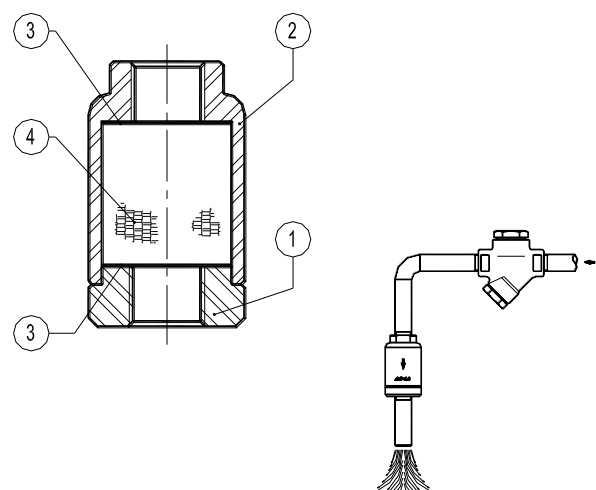
- OPTIONS:** Outlet without thread, suitable for direct discharge to atmosphere (DF16).
- USE:** Saturated steam and compressed air. On the discharge of steam or air traps, blowdown valves, air cylinders etc.
- AVAILABLE MODELS:** DF15 and DF16.
- SIZES:** 1/2", 3/4" and 1"
- CONNECTIONS:** Female screwed ISO 7/1 Rp (BSP)
- INSTALLATION:** Horizontal or vertical installation. Before installing the diffuser, remove all dirt and scale from the system. Diffuser discharge must be oriented towards the floor or other suitable enclosure.
- CAUTION:** Do not install the diffuser in such a manner that it may cause an accidental exposure to the discharge.



DIMENSIONS (mm)				
SIZE	A	B	SW	WGT. (kg)
1/2"	80	45	36	0,9
3/4"	80	45	36	0,9
1"	90	45	40	1,3

PMA – Max. allowable pressure      40      bar  
TMA – Max. allowable temperature    400      °C  
PMO – Max. operating pressure       32      bar  
TMO – Max. operating temperature    250      °C  
How to order: i.e. DF15 DN 1/2" BSP

MATERIALS		
POS. Nº	DESIGNATION	MATERIAL
1	Body	AISI 304 / 1.4301
2	Cover	AISI 304 / 1.4301
3	Strainer screen	AISI 304 / 1.4301
4	Wool element	AISI 434 / 1.4113



*Application example (outlet of a DT42/2)*