

WINDOW SIGHT GLASS DW12G and DW12SS

DESCRIPTION

For monitoring the right operation of a steam trap, in order to avoid leakages of live steam and, consequently, great energy losses, a sight glass is recommended to be installed downstream of the steam trap. The double window DW12 sight glasses have been designed for this particular application.

MAIN FEATURES

Double wall bellows, specially designed for high durability.
Position indicator.
Lubricator.
Maintenance free.
Secondary safety sealing.

OPTIONS: Mica shield discs for use with steam.

USE: Condensate pipes, downstream of the steam traps (see "Body limiting conditions" table).

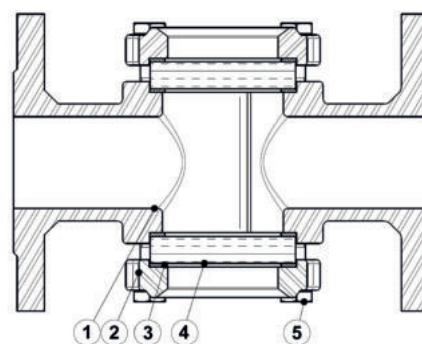
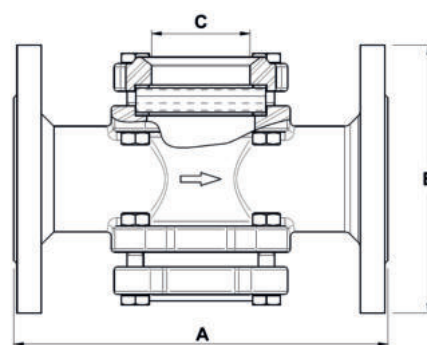
AVAILABLE MODELS:

DW12G – cast iron.
DW12SS – stainless steel.

SIZES: DN 15 to DN 150.

CONNECTIONS: Flanged EN 1092-1/-2 PN 16.

INSTALLATION: Horizontal or vertical installation.
See IMI.



BODY LIMITING CONDITIONS *

DW12G		DW12SS	
ALLOWABLE PRESSURES	RELATED TEMPERATURE	ALLOWABLE PRESSURES	RELATED TEMPERATURE
16 bar	-10 / 120 °C	16 bar	-10 / 50 °C
14,4 bar	150 °C	14,5 bar	150 °C
12,8 bar	200 °C	13,4 bar	200 °C
11,8 bar	230 °C	12,9 bar	230 °C
10,5 bar	280 °C	12,2 bar	280 °C

For applications with steam, use mica shield discs.

*** Warning:** The eventual use with steam/gas should be analyzed in accordance with the local applicable legislation, and always ensuring that there is no risk of water hammer.

MATERIALS

POS. N°	DESIGNATION	DW12G	DW12SS
1	Body	GJL-250 / 0.6025	A351 CF8M / 1.4408
2	Cover	GJL-250 / 0.6025	A351 CF8M / 1.4408
3	* Gasket	Graphite	Graphite
4	* Window glass	Borosilicate glass	Borosilicate glass
5	Bolts	Steel 8.8	Stainless steel A2-70

* Available spare parts.

CE MARKING – GROUP 2 (PED – European Directive)

PN 16	Category
DN 15 to DN 50	SEP
DN 65 to DN 150	1 (CE marked)

DIMENSIONS (mm)

SIZE	A	B	C	WEIGHT (kg)	
				DW12G	DW12SS
DN 15	130	95	44	3	3
DN 20	150	105	44	3,5	4
DN 25	160	115	44	4	5
DN 32	180	140	50	6	6,5
DN 40	200	150	50	6,5	7,3
DN 50	230	165	60	9	10,5
DN 65	290	185	90	17	17
DN 80	310	200	90	18	20
DN 100	350	220	110	23	26,5
DN 125	400	250	142	50	52
DN 150	480	285	160	63	68