

## PIPELINE Y STRAINERS IS16F

### DESCRIPTION

The IS16F cast iron Y strainers are applicable to all types of steam, water, oil and air systems.

Their purpose is to protect traps, regulating valves, piping, etc. from dirt and impurities, which are often the cause of damage and consequent energy loss of fluid systems.

**OPTIONS:** Different screen aperture sizes.  
Drain plug or drain valve in strainer cap.

**USE:** Group 2 fluids compatible with the construction (see "Body limiting conditions" table).

### AVAILABLE

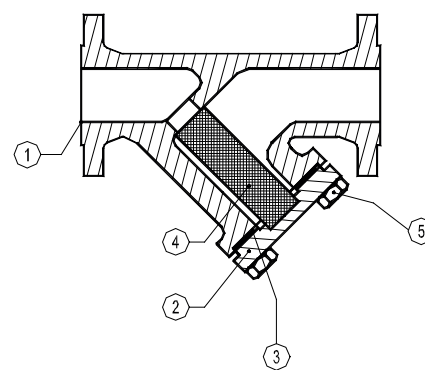
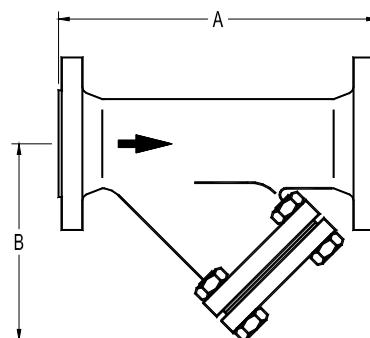
**MODELS:** IS16F – cast iron.

**SIZES:** DN 15 to DN 300.

**SCREENS:** 1 mm aperture – up to DN 50.  
1,25 mm aperture – from DN 65 to DN 80.  
1,6 mm aperture – from DN 100 to DN 300.

**CONNECTIONS:** Flanged EN 1092-2 PN 16.

**INSTALLATION:** Horizontal or vertical downstream installation.  
See IMI – Installation and maintenance instructions.



| CE MARKING – GROUP 2 (PED – European Directive) |               |
|---|---------------|
| PN 16   | Category      |
| DN 15 to DN 50                                  | SEP           |
| DN 65 to DN 200                                 | 1 (CE marked) |
| DN 250 to DN 300                                | 2 (CE marked) |

| BODY LIMITING CONDITIONS * |                     |
|----------------------------|---------------------|
| ALLOWABLE PRESSURE         | RELATED TEMPERATURE |
| 16 bar                     | -10 / 120 °C        |
| 12,8 bar                   | 200 °C              |
| 11,2 bar                   | 250 °C              |
| 9,6 bar                    | 300 °C              |

**\* Warning:** The eventual use with steam/gas should be analyzed in accordance with the local applicable legislation, and always ensuring that there is no risk of water hammer.

| MATERIALS |                   |                            |
|-----------|-------------------|----------------------------|
| POS. Nº   | DESIGNATION       | MATERIAL                   |
| 1         | Body              | GJL-250 / 0.6025           |
| 2         | Cap               | GJL-250 / 0.6025           |
| 3         | * Gasket          | Stainless steel / Graphite |
| 4         | * Strainer screen | AISI 304 / 1.4301          |
| 5         | Bolts             | Steel 8.8                  |

\* Available spare parts.

| DIMENSIONS (mm) |     |     |             |
|-----------------|-----|-----|-------------|
| SIZE            | A   | B   | WEIGHT (kg) |
| DN 15           | 130 | 75  | 2,4         |
| DN 20           | 150 | 75  | 3           |
| DN 25           | 160 | 90  | 3,8         |
| DN 32           | 180 | 90  | 5,2         |
| DN 40           | 200 | 110 | 6,8         |
| DN 50           | 230 | 120 | 9           |
| DN 65           | 290 | 140 | 11,8        |
| DN 80           | 310 | 165 | 16,8        |
| DN 100          | 350 | 220 | 25,2        |
| DN 125          | 400 | 260 | 37          |
| DN 150          | 480 | 300 | 58          |
| DN 200          | 600 | 360 | 112         |
| DN 250          | 730 | 470 | 162         |
| DN 300          | 850 | 560 | 195         |