

## AIR AND GAS FLOAT TRAPS FA20

### DESCRIPTION

The FA20 compressed air float trap series are specially designed for draining water from high pressure compressed air and gas lines. Usual applications include aftercoolers, separators and compressed air and gas mains.

An air balance pipe must be fitted, to allow the air trapped in the FA20 body to escape, avoiding obstructing the condensate flow.

### MAIN FEATURES

Modulating discharge.  
Unaffected by sudden or wide load and pressure changes.

OPTIONS: Equalizing and drain plug on body.  
Lifting lever.

USE: Compressed air and non corrosive gases compatible with the construction.

AVAILABLE MODELS: FA20 – carbon steel.

SIZES: 1/2" to 1"; DN 15 to DN 25.

CONNECTIONS: Female threaded ISO 7 Rp or NPT.  
Flanged EN 1092-1 PN 40.  
Flanged ASME B16.5 Class 150 or 300.  
Special flanges upon request.

INSTALLATION: Horizontal or vertical installation.  
See IMI – Installation and maintenance instructions.



APPLICATION LIMITS	
Minimum liquid specific weight	0,75 kg/dm <sup>3</sup>
Maximum working differential pressure	21 bar

CE MARKING – GROUP 2 (PED – European Directive)	
PN 40	Category
1/2" to 1" – DN 15 to 25	SEP

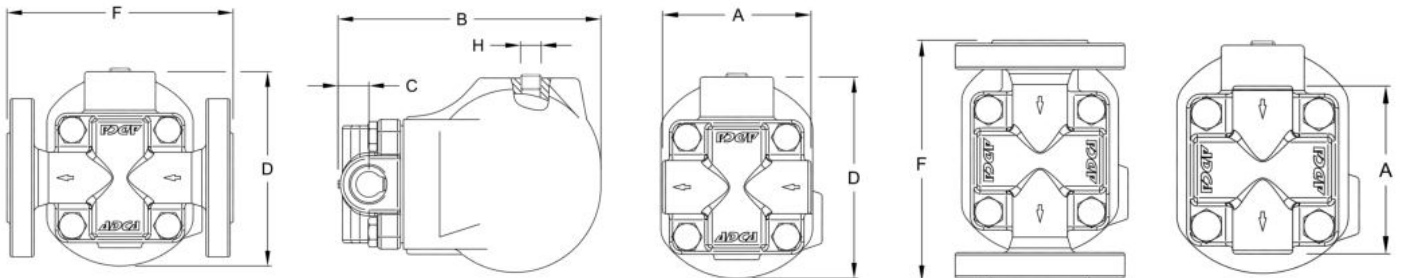
BODY LIMITING CONDITIONS		
FLANGED PN 40 / CLASS 300	FLANGED CLASS 150 **	RELATED TEMPERATURE
ALLOW. PRESS.	ALLOW. PRESS.	
37,1 bar	15,4 bar	100 °C
33,3 bar	13,8 bar	200 °C
30,4 bar	12,1 bar	250 °C
27,6 bar	10,2 bar	300 °C

PMO – Maximum operating pressure: 21 bar;  
TMO – Maximum operating temperature: 200 °C;  
\* According to EN 1092-1:2018; \*\* According to EN 1759-1:2004;  
Body limiting conditions PN 40 or below, depending on the type of connections adopted. Rating PN 40 for threaded, SW and BW versions.

FLOW RATE CAPACITY (kg/h)																
MODEL	SIZE	DIFFERENTIAL PRESSURE (bar)														
		0,5	1	1,5	2	3	4	6	7	8	9	10	12	14	16	21
FA20	1/2" to 1" DN 15 to 25	75	100	125	155	180	220	255	275	290	305	320	345	375	420	480

**DIMENSIONS (mm)**

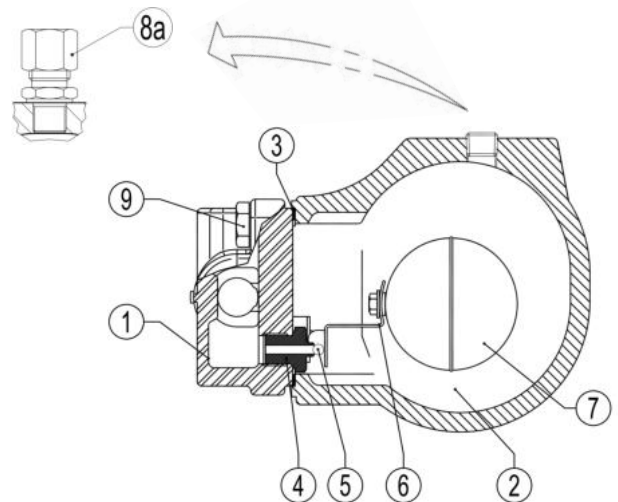
SIZE	THREADED						PN 40		CLASS 150		CLASS 300	
	A	B	C	D	H	WEIGHT (kg)	F	WEIGHT (kg)	F	WEIGHT (kg)	F	WEIGHT (kg)
1/2" – DN 15	95	178	23	128	1/4" NPT	5,2	150	6,7	150	6,2	150	7
3/4" – DN 20	95	178	23	128	1/4" NPT	5,2	150	7,4	150	6,6	150	8,2
1" – DN 25	95	178	23	128	1/4" NPT	5,2	160	7,8	160	7,4	160	9



**MATERIALS**

POS. N°	DESIGNATION	MATERIAL
1	Body	GP240GH / 1.0619
2	Cover	GP240GH / 1.0619
3	* Gasket	Stainless steel / Graphite
4	* Seat	AISI 410 / 1.4006
5	* Valve	Viton
		AISI 440C / 1.4125
6	* Lever	AISI 304 / 1.4301
7	* Float	AISI 304 / 1.4301
8A	** Compression fitting	Stainless steel or Steel Fe/Zn
9	Bolts	Steel 8.8

\* Available spare parts; \*\* Optional, against extra price;



**TYPICAL INSTALLATION**

