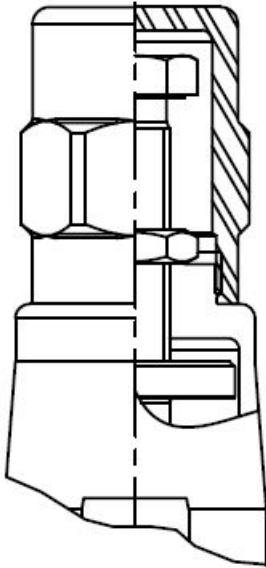
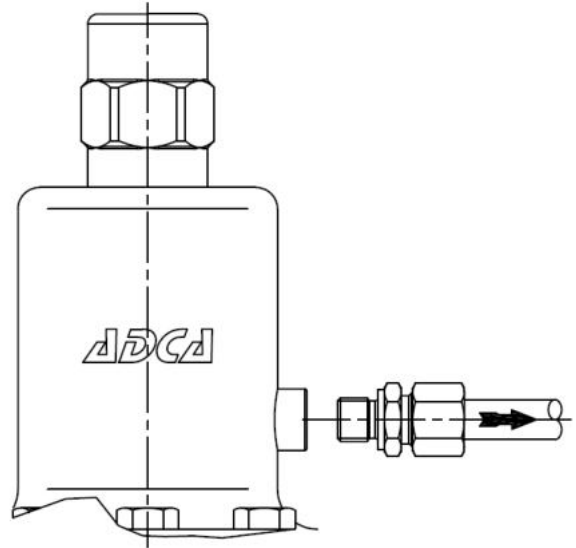


PRESSURE REDUCING AND PRESSURE SUSTAINING VALVE OPTIONS

Top cap (Tc)
 (Adjusting screw sealing)

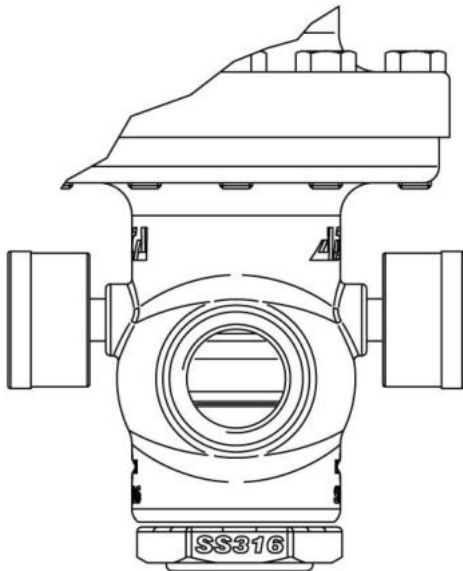


Leakage line connection (Llc)
 (To be piped to a safe place)



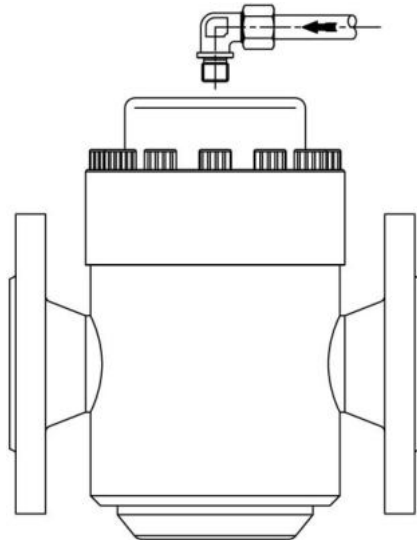
For maximum safety, when handling toxic or hazardous media, to avoid room contamination.
 Recommended in a self-relieving regulator.

Pressure gauge connection (Pgc)



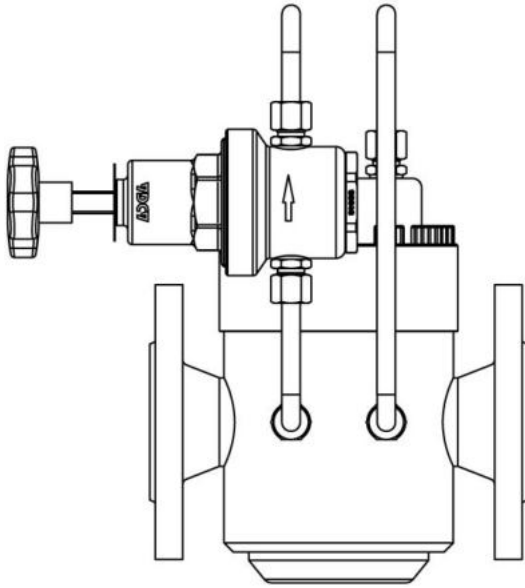
Can be applied in one or both sides.

Dome loaded (DI)



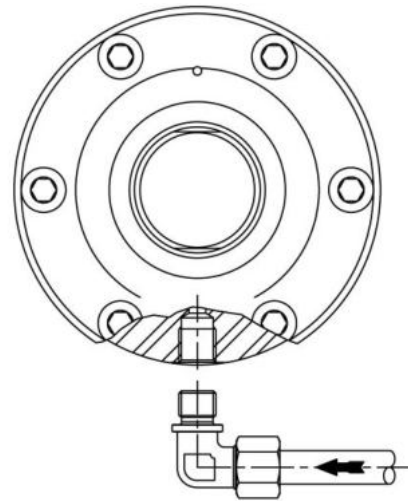
Operated by a smaller self-relieving pressure regulator.
 Reduced droop.

Pilot operated (Po)



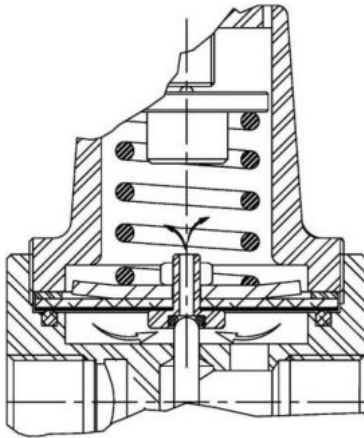
Maximum accuracy, reduced droop.

External feedback (Ef)

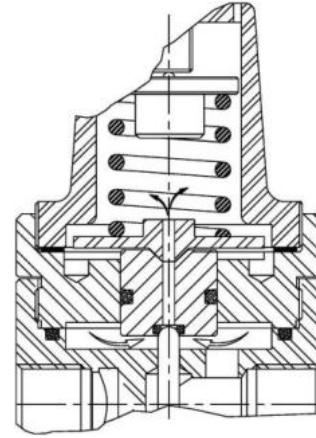


Better performance in case of high differential pressures.
 Reduced droop.

Self relieving - diaphragm design (Rlv)



Self relieving - piston design (Rlv)



Valve model	PRV25 PRW25	P15 PS15	P20	PS4	P7 PS7	PRV300 PS300	PRV30 PS30	PRV31 PS31	PRV41
Tc	NA	A	A	A	A	A	A	A	A
Llc	NA	A	A	A	A	A	A	A	A
Pgc	A 1)	A 2)	A 2)	A 2)	A 2)	A 1)	A 1)	A 1)	A 2)
DI	NA	A	A	A	A	A	A	A	A
Po	NA	A	A	A	NA	A	A	A	A
Ef	A	A	A	S	S	A 3)	A 3)	A 3)	A
Rlv *	NA	NA	NA	NA	NA	A	A	A	A

* Only applies to pressure regulators.

Key: A – Available against extra price; NA – Not available; S – Standard (no extra price);

- 1) Pressure gauge (if directly connected): max. D63;
- 2) Pressure gauge (if directly connected): max. D40.
- 3) Except for PRV30, 31 and 300 1" – DN 25 made from casted material.