

WATER SEAL POT POT

DESCRIPTION

The ADCA POT is specially designed to protect diaphragms, such as the ones installed in the RP45 pressure regulators, when the media temperature exceeds the diaphragm maximum operating temperature.

OPTIONS: Bigger sizes for special applications or when quick pressure or flow rate fluctuations are present.
Different sizes and materials.

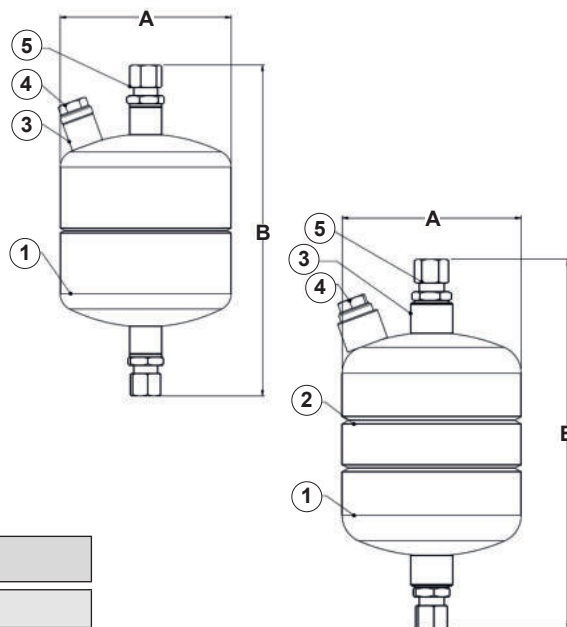
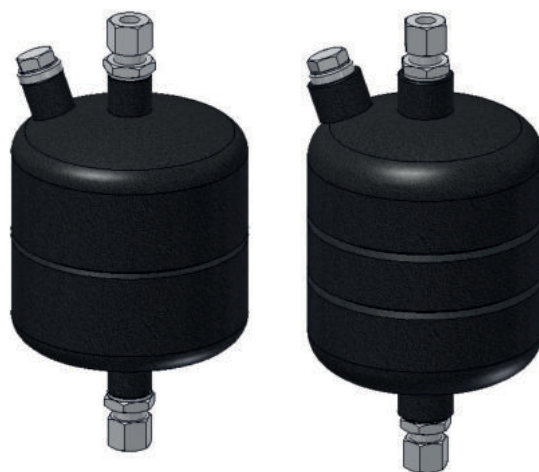
USE: Water sealing in pressure regulators (e.g. RP45).

AVAILABLE MODELS:

POT-4S – PN 16, carbon steel.
POT-4SS – PN 16, stainless steel.
POT-41S – PN 40, carbon steel.

CONNECTIONS: Female threaded ISO 7 Rp 3/8".
(Compression fittings – 3/8" x 10).

INSTALLATION: Connection to the steam pipe must be always depressurized when filling the vessel with water, in order to avoid the risk of scalding.
Please consult the IMI – Installation and maintenance instructions corresponding to the valve where it will be applied.



DIMENSIONS (mm)				
MODEL	A	B	VOL. (L)	WGT. (kg)
POT-4S	114	224	1,3	1,9
POT-4SS	114	226	1,3	1,9
POT-41S	114	232	1,3	2,8

CE MARKING – GROUP 2 (PED – European Directive)

PN 40	Category
3/8"	SEP

BODY LIMITING CONDITIONS *

POT-4S		POT-4SS		POT-41S	
PN 16		PN 16		PN 40	
ALLOW. PRESS.	RELATED TEMP.	ALLOW. PRESS.	RELATED TEMP.	ALLOW. PRESS.	RELATED TEMP.
16 bar	50 °C	16 bar	50 °C	40 bar	50 °C
14 bar	100 °C	16 bar	100 °C	37 bar	100 °C
13 bar **	195 °C	13 bar **	195 °C	31 bar **	239 °C
12 bar	250 °C	12 bar	250 °C	27 bar	300 °C

* Rating according to EN 1092-1:2018; ** PMO – Max. operating pressure for saturated steam.
Design code: AD-Merkblatt.

MATERIALS

POS. N°	DESIGNATION	POT-4S	POT-4SS	POT-41S
1	Heads	S235JRG2 / 1.0038	A403 WP316L	EN 10028-2 / P265GH / 1.0425
2	Intermediate tube	–	A312 TP316L	EN 10216-2 / P235GH / 1.0325
3	Sockets	A105 / 1.0432	AISI 316 / 1.4401	S355J2G3 / 1.0570
4	Plug	A105 / 1.0432	AISI 316 / 1.4401	A105 / 1.0432
5	Compression fitting	Fe/Zn – ISO 2081 – Cl. L	AISI 316Ti / 1.4571 – Cl. L	Fe/Zn – ISO 2081 – Cl. L